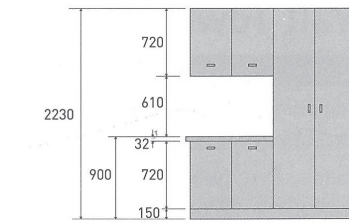


## Cabinet Guide

KitchensUBuild manufacture all their carcasses using 16mm High Moisture resistant particle board. They are assembled using a screw and dowel system. Instructions are included.

Because all benchtops, door, and end panels are made to order locally, we can offer literally 100's of different finishes and styles. Please speak to one of our in store consultants to determine a final price for your kitchen in the style that you want.

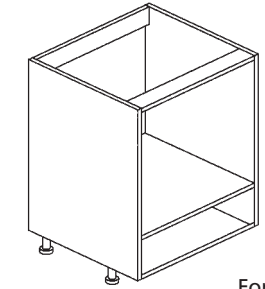


Standard kitchen measurements using the carcasses are listed below.

Standard Depth:  
Cabinet 560mm Deep +  
Door Thickness (18mm) +  
Benchtop Overhang = 600mm

### Under Bench Oven Units

Code	(w x d x h)
BU60	600 x 560 x 720 (To fit a 600 under bench oven)
BU90	900 x 560 x 720 (to fit a 900 under bench oven)

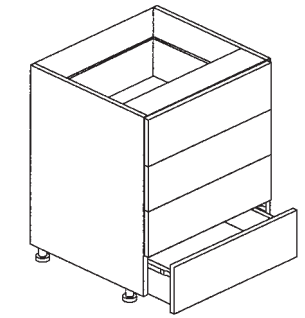


For all other 'non standard' sized ovens, the client needs to trim cabinet to suit

### DRAWER UNITS: SOFT CLOSE

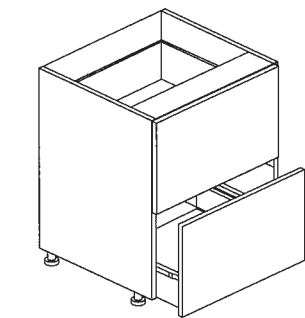
#### 4 Drawer units

Code	(w x d x h)
B40D4	400 x 560 x 720
B45D4	450 x 560 x 720
B50D4	500 x 560 x 720



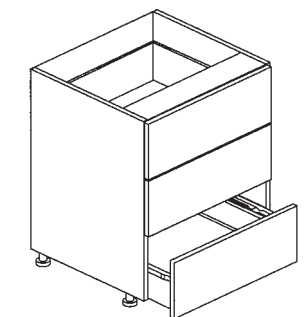
#### 2 Drawer units (two pot drawers)

Code	(w x d x h)
B60D2	600 x 560 x 720
B70D2	700 x 560 x 720
B80D2	800 x 560 x 720
B90D2	900 x 560 x 720
B100D2	1000 x 560 x 720



#### 3 Drawer Unit (one cutlery drawer, 2 pot drawers)

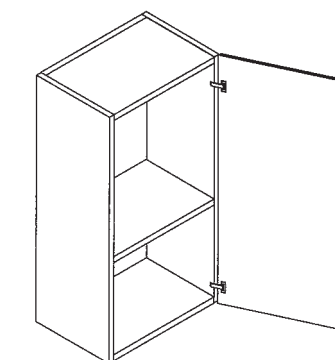
Code	(w x d x h)
B60D3	600 x 560 x 720
B70D3	700 x 560 x 720
B80D3	800 x 560 x 720
B90D3	900 x 560 x 720
B100D3	1000 x 560 x 720



### OVERHEAD UNITS

#### 1 Door Wall Units

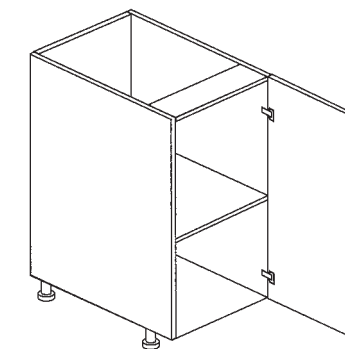
Code	(w x d x h)
W25	250 x 300 x 720
W30	300 x 300 x 720
W35	350 x 300 x 720
W40	400 x 300 x 720
W45	450 x 300 x 720
W50	500 x 300 x 720
W55	550 x 300 x 720



### BASE UNITS

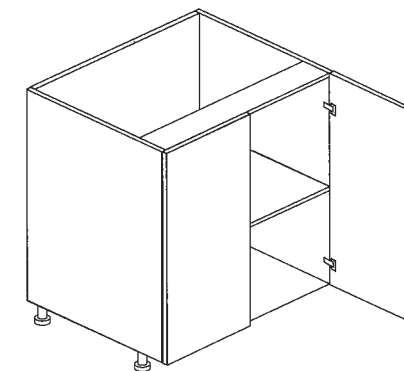
#### Single Door Unit

Code	(w x d x h)
B15	150 x 560 x 720
B25	250 x 560 x 720
B30	300 x 560 x 720
B35	350 x 560 x 720
B40	400 x 560 x 720
B45	450 x 560 x 720
B50	500 x 560 x 720
B55	550 x 560 x 720



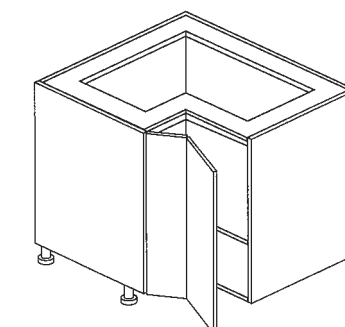
#### Two Door Unit

Code	(w x d x h)
B60*	600 x 560 x 720
B65*	650 x 560 x 720
B70	700 x 560 x 720
B75	750 x 560 x 720
B80	800 x 560 x 720
B85	850 x 560 x 720
B90	900 x 560 x 720
B100	1000 x 560 x 720



#### Corner Base Cabinets

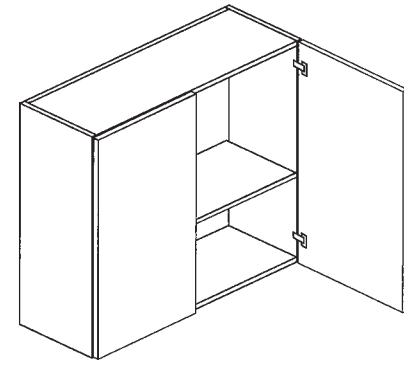
Code	(w x d x h)
BC98	900/800 x 560 x 720
BC90	900/900 x 560 x 720
BC912	900/1200 x 560 x 720 (BC912 is designed for 3 doors)



\* 1 or 2 door units available

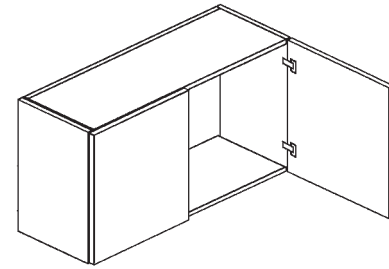
### 2 Door wall units

Code	(w x d x h)
W60*	600 x 300 x 720
W65*	650 x 300 x 720
W70	700 x 300 x 720
W75	750 x 300 x 720
W80	800 x 300 x 720
W85	850 x 300 x 720
W90	900 x 300 x 720
W100	1000 x 300 x 720
WC60	600/600 x 300 x 720 Corner unit



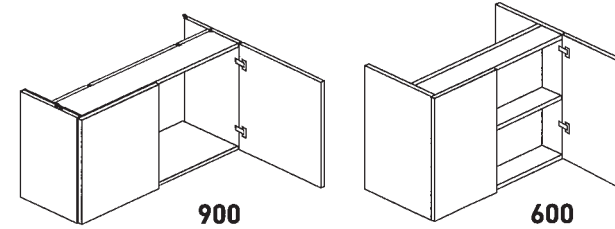
### OVERHEAD FRIDGE UNITS

Code	(w x d x h)
W46 70	700 x 300 x 460
W46 75	750 x 300 x 460
W46 80	800 x 300 x 460
W46 85	850 x 300 x 460
W46 90	900 x 300 x 460
W46 100	1000 x 300 x 460



### RANGE HOOD UNIT

Code	(w x d x h)
W46 60R	600 x 300 x 460 For 600mm slide or fixed range hood.
W46 90R	900 x 300 x 460



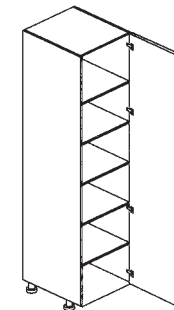
Ducting is designed to go behind cabinet

### PANTRY UNITS: BROOM, PULL OUT OR STD PANTRY

#### Pantry 1 door

Code	(w x d x h)
TP40	400 x 583 x 2080
TP50	500 x 583 x 2080

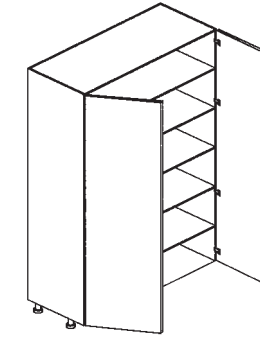
Includes 1 fixed & 4 adjusted shelves



\* 1 or 2 door units available.

#### Pantry 2 door

Code	(w x d x h)
TP60*	600 x 583 x 2080
TP80	800 x 583 x 2080
TP90	900 x 583 x 2080
TP100	1000 x 583 x 2080



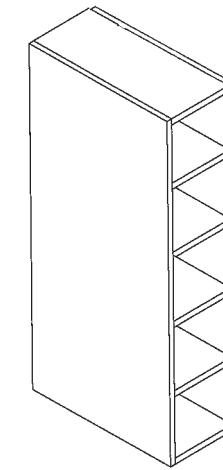
#### Corner Pantries (Floor Unit)

Code	(w x d x h)
TP11	1000/1000 x 589 x 2230

### WINE RACKS

#### Wine racks description

Code	(w x d x h)
WRSS	150w x 318d x 720h Under/over bench single wine rack
WRFHS	150w x 318d x 2080h Tall single wine rack



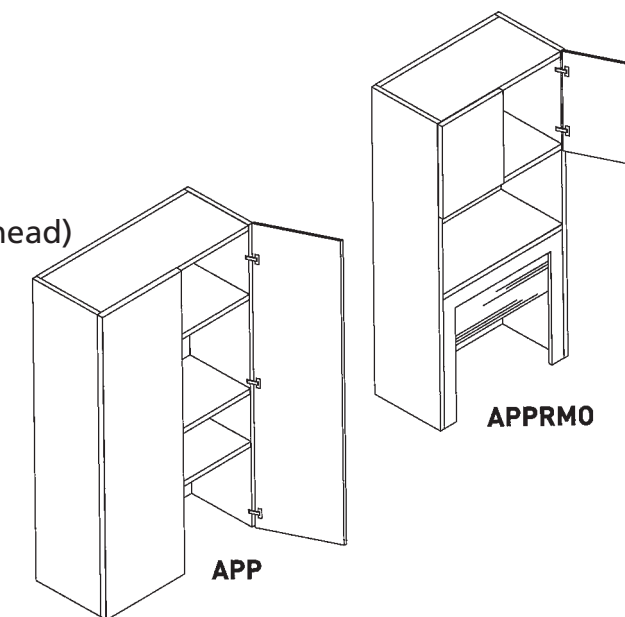
### APPLIANCE CABINETS

#### Appliance Cabinets

Code	(w x d x h)
APPRM0600	600w x 450d x 1330h (Roller Door, Microwave Box & Overhead)
APP600	600w x 450d x 1330h
APP700	700w x 450d x 1330h
APP800	800w x 450d x 1330h
APP900	900w x 450d x 1330h

Other combinations available

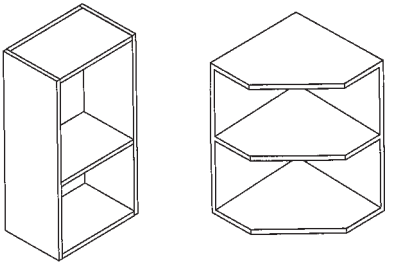
\* 1 or 2 door units available.



### OPEN SHELF UNITS

Open shelf units (made to order in selected colours & sizes)

Code	(w x d x h)	
C720	320w x 320d x 720h	Corner Unit
W720	100 to 1000w x 300d x 720h	Open Shelf Wall Unit
W460	100 to 1000w x 300d x 460h	Open Shelf Wall Unit
B720	100 to 1000w x 560d x 720h	Open Shelf Base Unit



Pre-assembled units in colours to match your product.

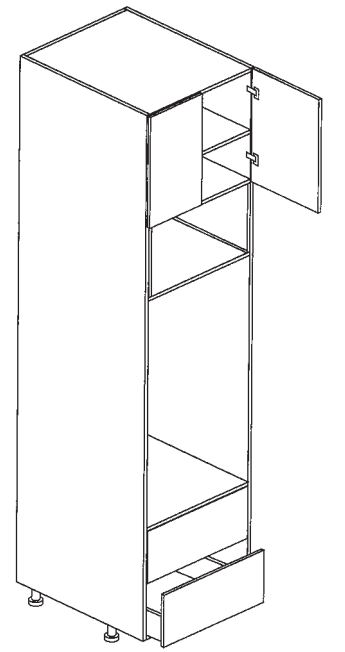
### WALL TOWER UNIT

#### Wall Tower Combination

Comprises of either WO338 (for double wall oven) or WO630 (for single wall oven), MICOB (microwave box) and W4660 (overhead cabinet).

Code	(w x d x h)
WO338	600 x 561 x 338 Single drawer to suit a double oven
WO630	600 x 561 x 630 Two drawer to suit a single oven
W4660	600 x 300 x 460 Overhead cabinet for either combination

NOTE: Oven space is designed for standard single or double oven. For any special non-standard ovens, we will require the measurements prior to ordering. 42 x 19 timber may be required for fixing of some ovens. Refer to fixing instructions from manufacturer for more information.



### MICROWAVE BOX UNITS

Microwave box units,  
note: standard internal size is 354h x 432d x 563w.

Code	(w x d x h)
MICOB	600w x 450d x 390h Standard microwave box
MICOU	600w x 560d x 720h Under bench microwave unit with single drawer
MICAB	600w x 450d x 850h Above bench microwave unit with 460h overhead

